

DC HIGH VOLTAGE EV RELAY

EVR50



EVR50

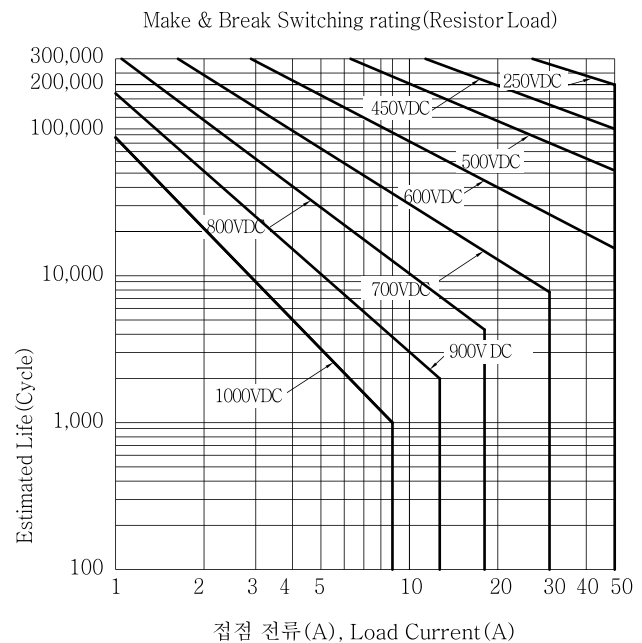
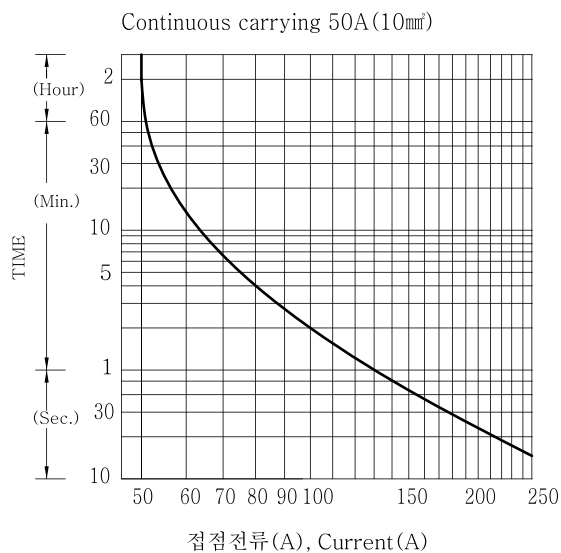
▶ 성능 (Characteristics)

Initial insulation resistance		Min. 100mΩ 500VDC	
Expected life	Mechanical (Min.)		2×10^6
	Electric (Min.) (Resistor)	450VDC 50A	1×10^5
		250VDC 50A	2×10^5
Initial breakdown voltage	Between open contacts		2,500VAC 60 Sec. 10mA
	Between contacts & coil		2,500VAC 60 Sec. 10mA
Operate time (at 20°C)		Max. 20ms	
Release time (at 20°C)		Max. 5ms	
Shock resistance	Functional		Min 196 m/s ² {20G}, (10μs)
	Destructive		Min 490 m/s ² {50G}
Vibration resistance	Functional		43 m/s ² {4.4G} 10 to 200Hz, (10μs)
	Destructive		43 m/s ² {4.4G} 10 to 200Hz
Conditions for operation transport and storage	Ambient temperature		-40°C to +85°C
	Humidity		5 to 85% R.H.
Unit weight		110g	

▶ 특성곡선 (Reference data)

- 온도상승곡선
 - ▶ 통전시간의 최대치 Max, Current capacity
Max, Continuous thermal current rating (amperes)

- 전기적 수명 곡선
(Estimated Switching Ratings)



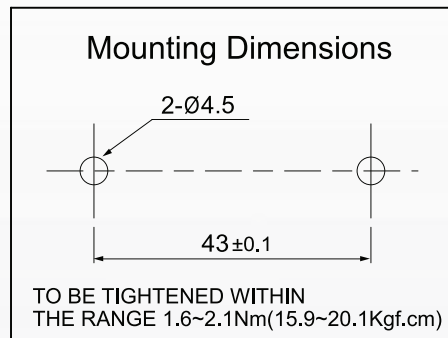
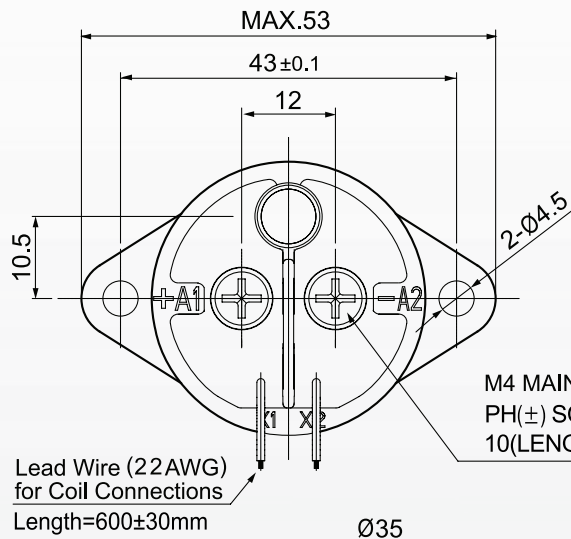
DC HIGH VOLTAGE EV RELAY

EVR50



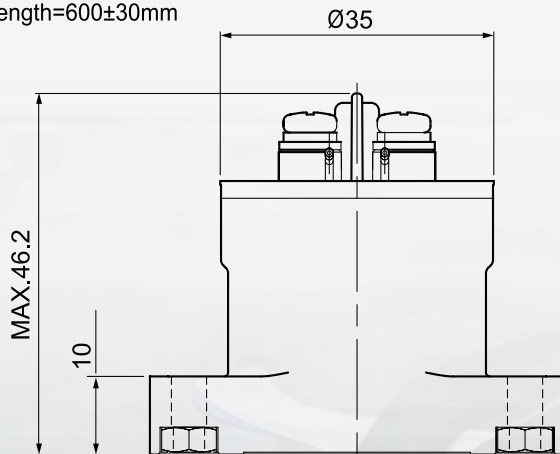
▶ 외형치수도 (Dimension in mm)

공차(Tolerance) : 10mm 이하±0.3, 10~50mm ±0.6, 50mm 이상±1.0

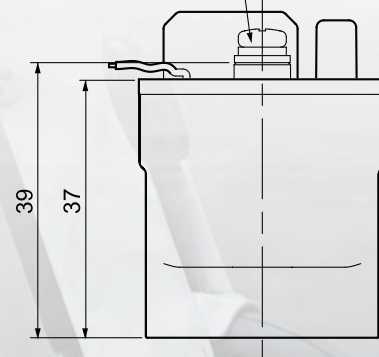


M4 MAIN TERMINALS
PH(±) SCREW M4X0.7(PITCH)
10(LENGTH) S.P/WASHER Length=8mm

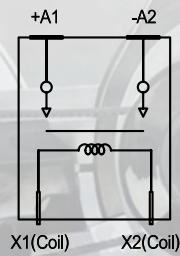
Lead Wire (22AWG)
for Coil Connections
Length=600±30mm



M4 MAIN TERMINALS
TO BE TIGHTENED WITHIN
THE RANGE 1.6~2.1Nm(15.9~20.1Kgf.cm)



Schematic (Top View)



Main terminals have polarities (+) and (-)