

DC HIGH VOLTAGE EV LATCH RELAY

EVL350



▶ 응용분야 (Application) : Electric Vehicle, Charging System, Battery Energy Storage System, Solar System, Golf Car, Fuel Cell Vehicle, Helicopter, etc.

▶ 코일정격 (Magnet coil ratings)

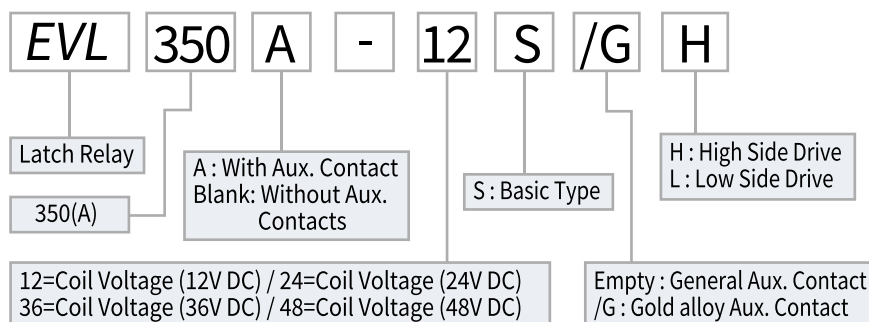
Nominal voltage(V)	Item	nrush Coil current (Max.)	Pick-up Holding Time (ms)	Pick-up voltage (V)	Drop-out voltage (V)	Drop-out Time (ms)	Max. voltage (V)
12		2.5A	50~100ms	9.0VDC	9.0VDC	50~100ms	15VDC
24		1.5A	50~100ms	18.0VDC	18.0VDC	50~100ms	30VDC
36		1.0A	50~100ms	27.0VDC	27.0VDC	50~100ms	45VDC
48		0.75A	50~100ms	36.0VDC	36.0VDC	50~100ms	60VDC

Notes : 1. Nominal current and coil resistance are measured at +20°C. 2. Differences of coil resistance are $\pm 10\%$.
3. Performance characteristic coil temperature is measured at +20°C.

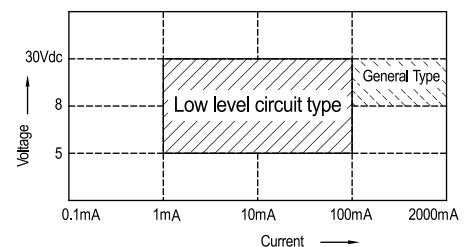
▶ 접점정격 (Contact ratings)

Item	Type	1Pole Resistor load
		EVL350
Max. Continuous current (wire size 100mm ² ×2)		350A
Max. switching current		350A
Max. switching voltages		900VDC
Contact Rating switching voltages		12~900VDC
Voltage drop across contacts per 100A		30mV Max. (At 5VDC)
Min. permissible load		12VDC 0.5A
Description		S.P On/Off (a)
Contact Arrangement, auxiliary contacts		1Form A (SPST-NO.)
General Aux. Contact Current, Max.		2A 30VDC / 3A 125VAC
General Aux. Contact Current, Min.		100mA 8VDC
Gold alloy Aux. Contacts Max.		0.1A 30VDC / 0.1A 30VAC
Gold alloy Aux. Contacts Min.		1mA 5VDC / 1mA 5VAC

▶ 주문방법 (Ordering information)



Permissible load of Aux. contact



DC HIGH VOLTAGE EV LATCH RELAY

EVL350



EVL350

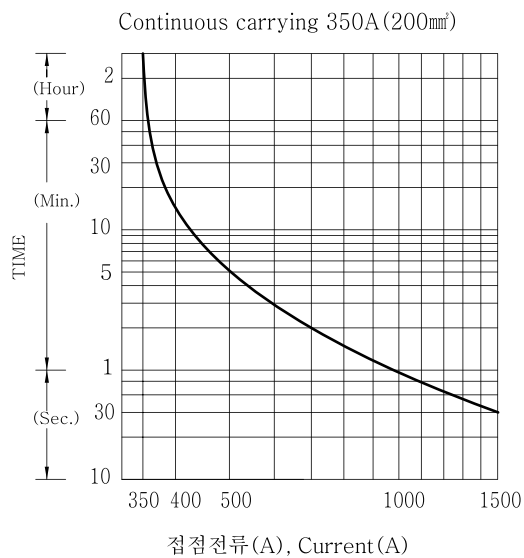
▶ 성능 (Characteristics)

Expected life	Mechanical (Min.)		5 × 10 ⁶
	Electric (Min.) (Resistor)	350VDC 350A	1 × 10 ⁶
		250VDC 350A	1 × 10 ⁶
Initial insulation resistance			Min. 100mΩ 500VDC
Initial breakdown voltage	Between open contacts		3500VAC 60 Sec. 5mA
	Between contacts & coil		3500VAC 60 Sec. 5mA
Operate time (at 20°C)			Max. 10ms
Release time (at 20°C)			Max. 10ms
Shock resistance	Functional		Min 147 m/s ² {15G}
	Destructive		Min 490 m/s ² {50G}
Vibration resistance	Functional		98 m/s ² {10G} 10 to 500Hz
	Destructive		98 m/s ² {10G} 10 to 500Hz
Conditions for operation transport and storage	Ambient temperature		-40°C to +85°C
	Humidity		5 to 85% R.H.
Unit weight			610g

▶ 특성곡선 (Reference data)

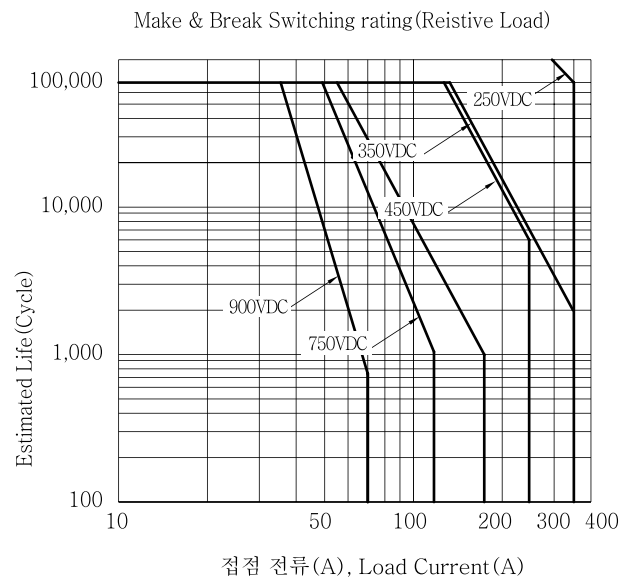
● 온도상승곡선

- ▶ 통전시간의 최대치 Max, Current capacity
Max, Continuous thermal current rating (amperes)



● 전기적 수명 곡선

(Estimated Switching Ratings)



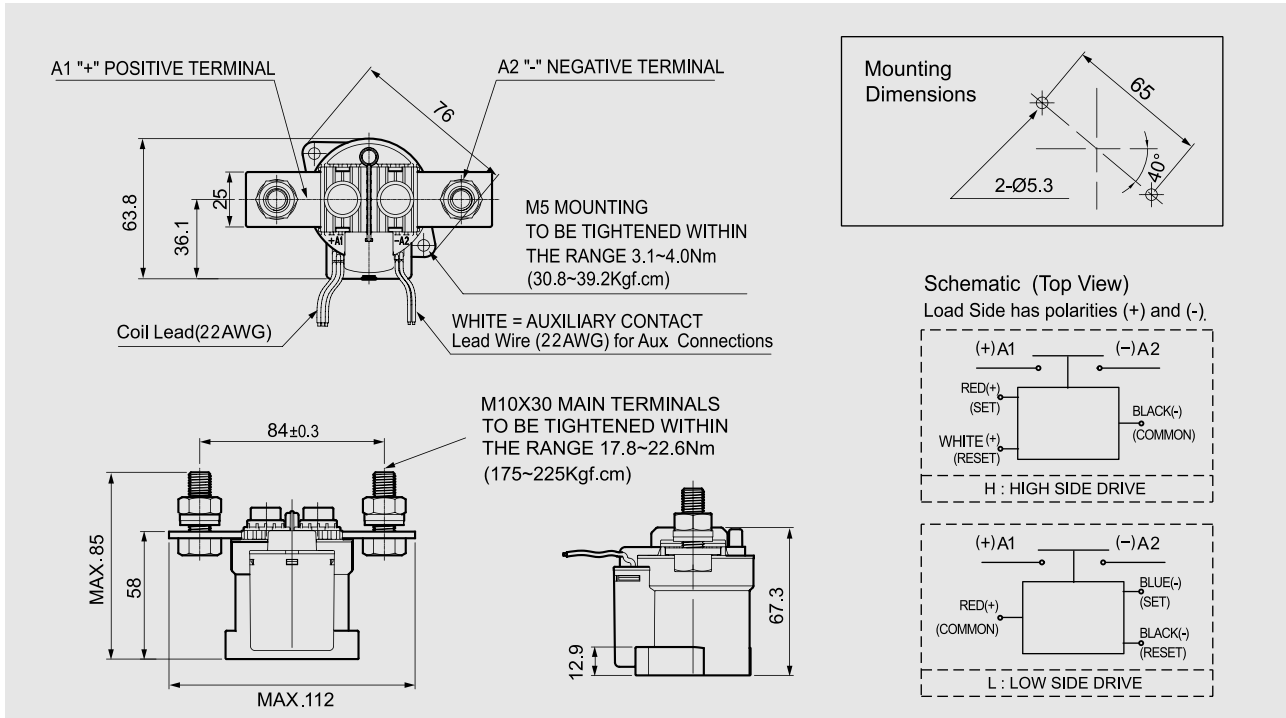
DC HIGH VOLTAGE EV LATCH RELAY

EVL350



▶ 외형치수도 (Dimension in mm)

공차 (Tolerance) : 10mm 이하 ±0.3, 10~50mm ±0.6, 50mm 이상 ±1.0



▶ EVL350-2P 결선도 (2 Pole wiring diagram of EVL350)

