

HERMETIC SEALED DC CONTACTOR

EVH750

(1500Vdc)



EVH750

▶ 응용분야 (Application) : Charging System, Battery Energy Storage System, Solar System, Fuel Cell Vehicle, etc.

▶ 코일정격 (Magnet coil ratings)

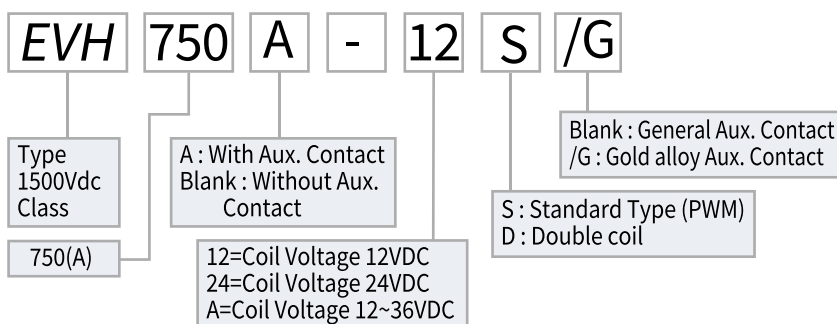
Nominal voltage(V)	Item	Inrush Coil current 150ms(Max.)	Holding Coil current	Pick-up voltage (V)max.	Drop-out voltage (V)min.	Holding voltage (V)min.	Max. voltage (V)	Remark
12S	12V	2.3A	0.45A	9VDC	6VDC	7.5VDC	18VDC	PWM economizer
24S	24V	1.1A	0.16A	18VDC	12VDC	15.0VDC	32VDC	
AS	12~36V	3.8A	0.15~0.4A	9VDC	6VDC	7.5VDC	36VDC	Double coil economizer
12D	12V	4.2A	0.55A	9VDC	6VDC	7.5VDC	18VDC	
24D	24V	2.3A	0.35A	18VDC	12VDC	15.0VDC	32VDC	

Notes: 1. Nominal current and coil resistance are measured at +20°C. 2. Differences of coil resistance are ±10%.
3. Performance characteristic coil temperature is measured at +20°C.

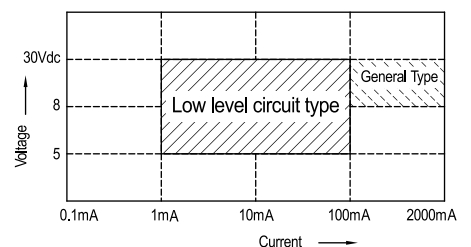
▶ 접점정격 (Contact ratings)

Item	Type	1Pole Resistor load
		EVH750
Max. Continuous current (wire size 480mm ²)		750A
Max. switching current		1000VDC 1000A
		1500VDC 800A
Contact rating switching voltages		12~1500VDC
Max. cut-off current		350VDC 2000A 10 Ops.
Voltage drop across contacts per 100A		30mV Max. (At 5VDC)
Min. permissible load		12VDC 0.5A
Description		S.P On/Off (a)
Contact Arrangement, auxiliary contacts		1Form A (SPST-NO.)
General Aux. Contact Current, Max.		2A 30VDC / 3A 125VAC
General Aux. Contact Current, Min.		100mA 8VDC
Gold alloy Aux. Contacts Max. (Low level circuit type)		0.1A 30VDC / 0.1A 30VAC
Gold alloy Aux. Contacts Min. (Low level circuit type)		1mA 5VDC / 1mA 5VAC

▶ 주문방법 (Ordering information)



Permissible load of Aux. contact



HERMETIC SEALED DC CONTACTOR

EVH750

(1500Vdc)



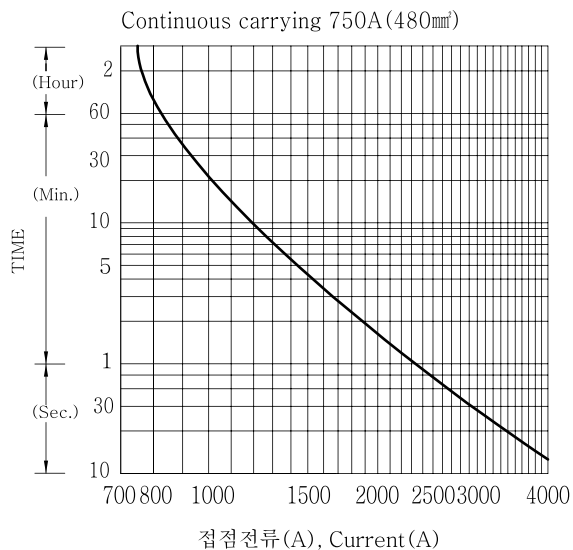
▶ 성능 (Characteristics)

Expected life	Mechanical (Min.)		2×10^5
	Electric (Min.) (Resistor)	500VDC 750A	2×10^3
		750VDC 500A	2×10^3
		1000VDC 500A	1×10^3
		1000VDC 320A	6×10^3
	1500VDC 250A	6×10^3	
Initial insulation resistance			Min. 200m Ω 1000VDC
Initial breakdown voltage	Between open contacts		4500VAC 60 Sec. 5mA
	Between contacts & coil		4500VAC 60 Sec. 5mA
Operate time (at 20°C)			Max. 50ms
Release time (at 20°C)			Max. 10ms
Shock resistance	Functional		Min 196m \bar{g} {20G}
	Destructive		Min 490m \bar{g} {50G}
Vibration resistance	Functional		98m \bar{g} {10G} 10 to 500Hz
	Destructive		98m \bar{g} {10G} 10 to 500Hz
Conditions for operation transport and storage	Ambient temperature		-40°C to +85°C
	Humidity		5 to 85% R.H.
Unit weight			1200g

▶ 특성곡선 (Reference data)

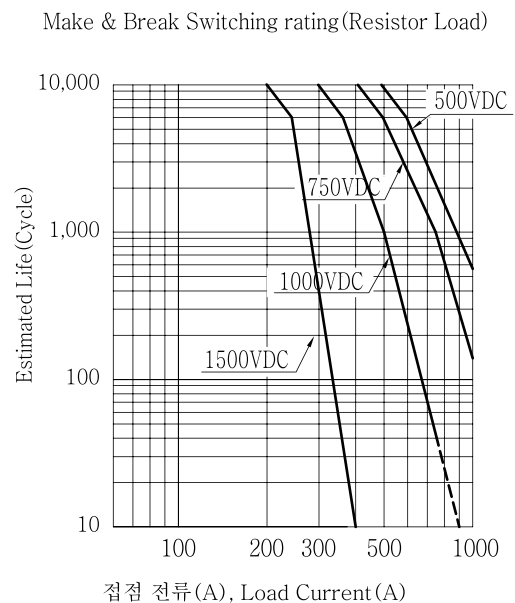
● 온도상승곡선

- ▶ 통전시간의 최대치 Max, Current capacity
Max, Continuous thermal current rating (amperes)



● 전기적 수명 곡선

(Estimated Switching Ratings)



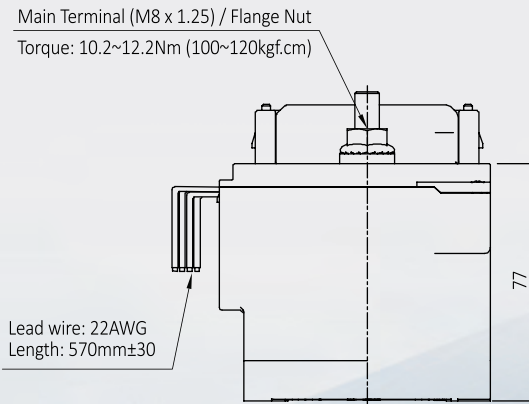
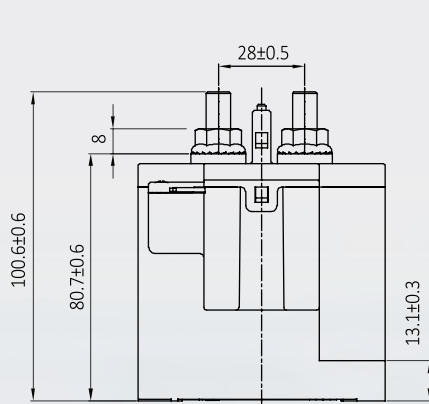
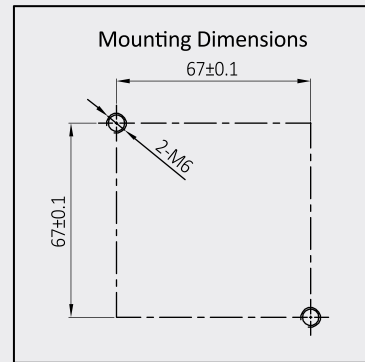
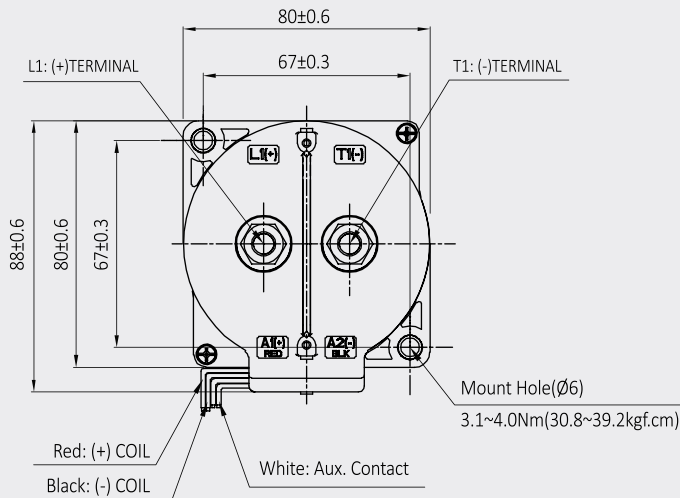
HERMETIC SEALED DC CONTACTOR

EVH750 (1500Vdc)

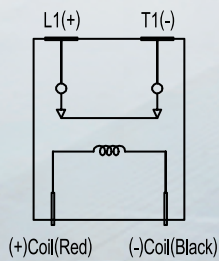


EVH750

외형치수도 (Dimension in mm)



Schematic (Top View)



Main terminals have polarities (+) and (-)