

DC HIGH VOLTAGE EV RELAY

# EVR400-S/B

(Normal Close Contact)



▶ **응용분야 (Application)** : Elarth device of Solar Power Systems

▶ **코일정격 (Magnet coil ratings)**

Nominal voltage(V)	Item	Inrush Coil current 100ms (Max.)	Holding Coil current (mA)	Pick-up voltage (V)Max. (Contact Closing → Opening)	Drop-out voltage (V)Min. (Contact Opening → Closing)	Holding voltage (V)Min. (Contact:Opening)	Max. voltage (V)Max.
A	36	3.8A	0.09A	9VDC	6VDC	7.5VDC	36VDC
	24		0.13A				
	12		0.27A				
	12	3.8A	0.3A	9VDC	6VDC	7.5VDC	18VDC
	24	2.7A	0.3A	18VDC	12VDC	13.5VDC	32VDC

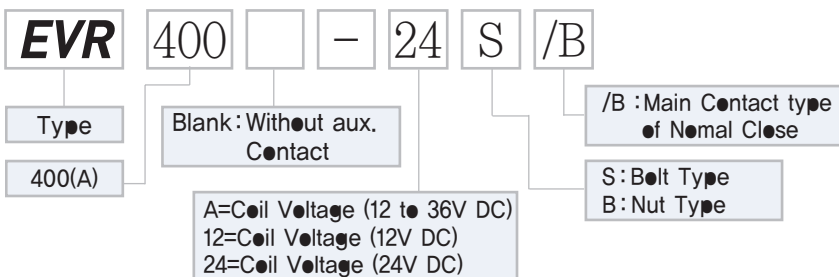
Notes : 1. Nominal current and coil resistance are measured at +20°C.  
 2. Differences of coil resistance are ±10%.  
 3. Performance characteristic coil temperature is measured at +20°C.

▶ **접점정격 (Contact ratings)**

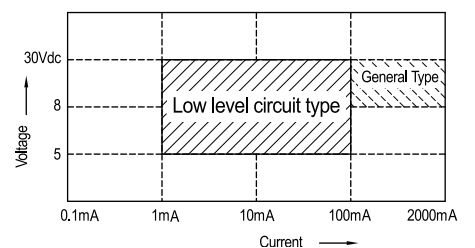
Item	Type	1Pole Resistive load (L/R≤1ms)	
		EVR400- S/B	
Max. Continuous current (wire size 150mm <sup>2</sup> ×2)		500A	
Max. switching current		1200V DC 80A	UL Certification
		1000V DC 90A	
		1200V DC 80A	
		1000V DC 100A	
Contact rating switching voltages		12~1500VDC	
Voltage drop across contacts per 100A		30mV Max	
Min. permissible load		12VDC 0.5A	
Description		S.P On/Off (b)	
Contact Arrangement		1Form B (SPST-NC.)	

Notes : EVR400- S/B is without aux. contact.

▶ **주문방법 (Ordering information)**



Permissible load of Aux. contact



# DC HIGH VOLTAGE EV RELAY

## EVR400-S/B (Normal Close Contact)



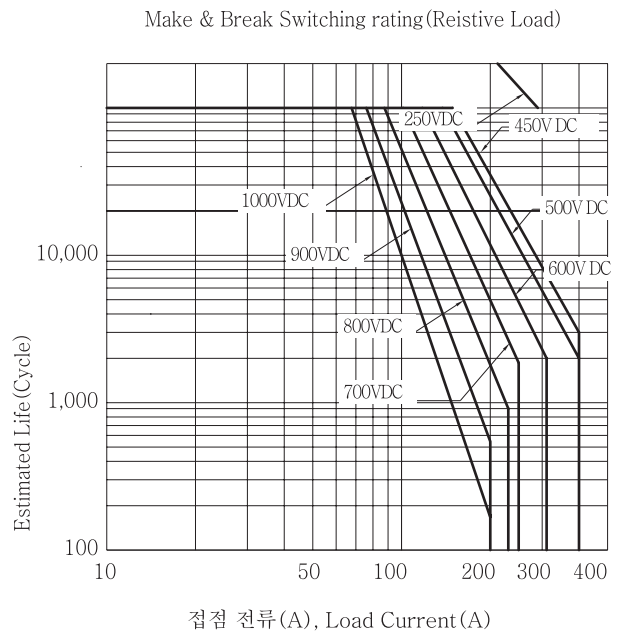
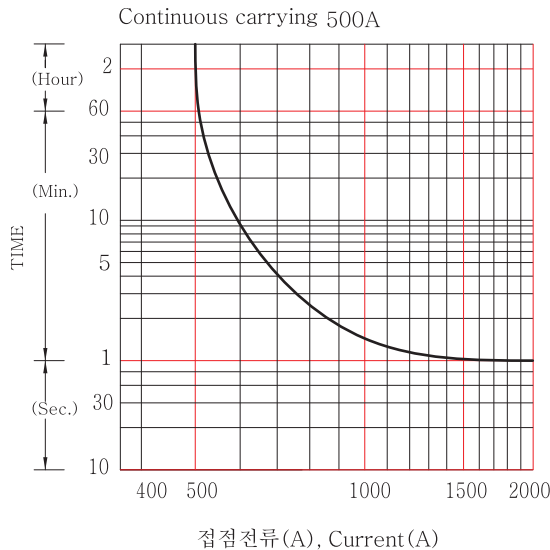
EVR400-S/B

### ▶ 성능 (Characteristics)

Expected life	Mechanical (Min.)		2×10 <sup>6</sup>
	Electric (L/R≤1ms)	450V DC 400A	3×10 <sup>3</sup>
		250V DC 400A	1×10 <sup>5</sup>
		1000V DC 100A	1×10 <sup>4</sup>
Initial insulation resistance			Min. 100M $\Omega$ 500V DC
Initial breakdown voltage	Between open contacts		3500V AC 60 Sec. 5mA
	Between contacts & coil		3500V AC 60 Sec. 5mA
Operate time (at 20°C)(Contact Closing → Contact Opening)			Max. 30ms
Release time (at 20°C)(Contact Opening → Contact Closing)			Max. 10ms
Shock resistance	Functional		Min 196 % {20G}
	Destructive		Min 490 % {50G}
Vibration resistance	Functional		100 % {20G} 80 to 2000Hz
	Destructive		100 % {20G} 80 to 2000Hz
Conditions for operation transport and storage	Ambient temperature		-40°C to +85°C
	Humidity		5 to 85% R.H.
Unit weight			660g

### ▶ 특성곡선 (Reference data)

- 온도상승곡선
  - 통전시간의 최대치 Max, Current capacity  
Max, Continuous thermal current rating (amperes)
- 전기적 수명 곡선  
(Estimated Switching Ratings)



DC HIGH VOLTAGE EV RELAY

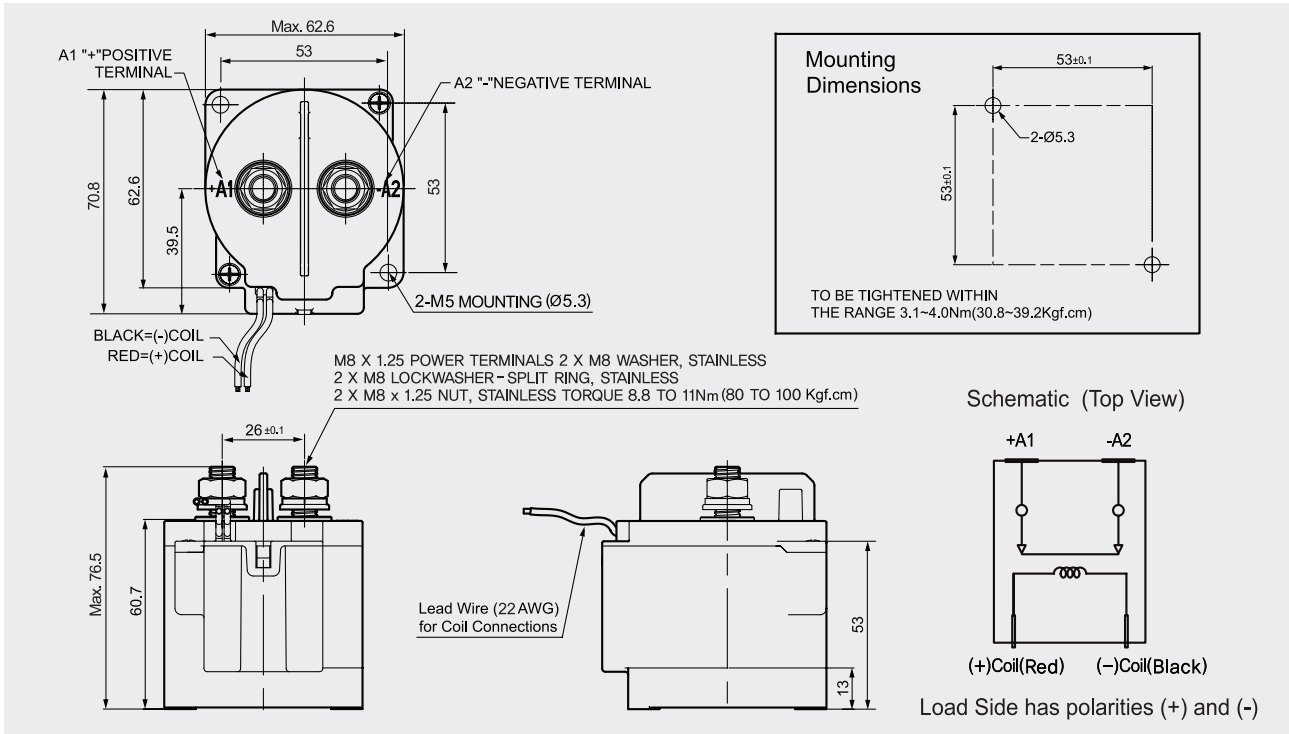
# EVR400-S/B

(Normal Close Contact)



▶ 외형치수도 (Dimension in mm)

(Bolt Type)



(Nut Type)

