

DC HIGH VOLTAGE LATCH RELAY

EVL350



EVL350

▶ **응용분야 (Application)** : Electric Vehicle, Charging System, Battery Energy Storage System
Solar System, Golf Car, Fuel Cell Vehicle, Helicopter, etc.

▶ **코일정격 (Magnet coil ratings)**

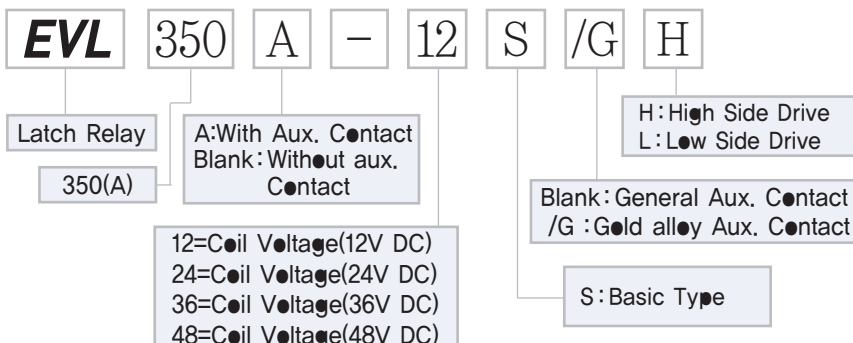
Nominal voltage(V)	Item	Inrush Coil current (Max.)	Pick-up Holding Time (ms)	Pick-up voltage (V)	Drop-out voltage (V)	Drop-out Time (ms)	Max. voltage (V)Max.
12		2.5A	50~100ms	9.0VDC	9.0VDC	50~100ms	15VDC
24		1.5A	50~100ms	18.0VDC	18.0VDC	50~100ms	30VDC
36		1.0A	50~100ms	27.0VDC	27.0VDC	50~100ms	45VDC
48		0.75A	50~100ms	36.0VDC	36.0VDC	50~100ms	60VDC

Notes : 1. Nominal current and coil resistance are measured at +20°C.
2. Differences of coil resistance are ±10%.
3. Performance characteristic coil temperature is measured at +20°C.

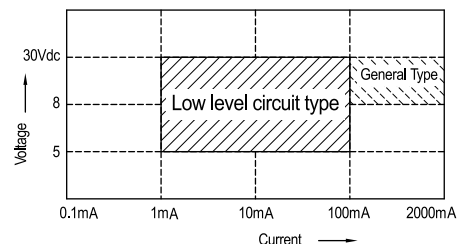
▶ **접점정격 (Contact ratings)**

Item	Type	1Pole Resistive load (L/R≤1ms)
		EVL350
Max. Continuous current (wire size 100mm ² ×2)		350A
Max. switching current		350A
Max. switching voltages		900VDC
Contact rating switching voltages		12~900VDC
Voltage drop across contacts per 100A		30mV Max.
Min. permissible load		12VDC 0.5A
Description		S,P On/Off (a)
Contact Arrangement, auxiliary contacts		1Form A (SPST-NO.)
General Aux. Contact Current, Max.		2A 30VDC / 3A 125VAC
General Aux. Contact Current, Min.		100mA 8VDC
Gold alloy Aux. Contacts Max.		0.1A 30VDC / 0.1A 30VAC
Gold alloy Aux. Contacts Min.		1mA 5VDC / 1mA 5VAC

▶ **주문방법 (Ordering information)**



Permissible load of Aux. contact



DC HIGH VOLTAGE LATCH RELAY

EVL350

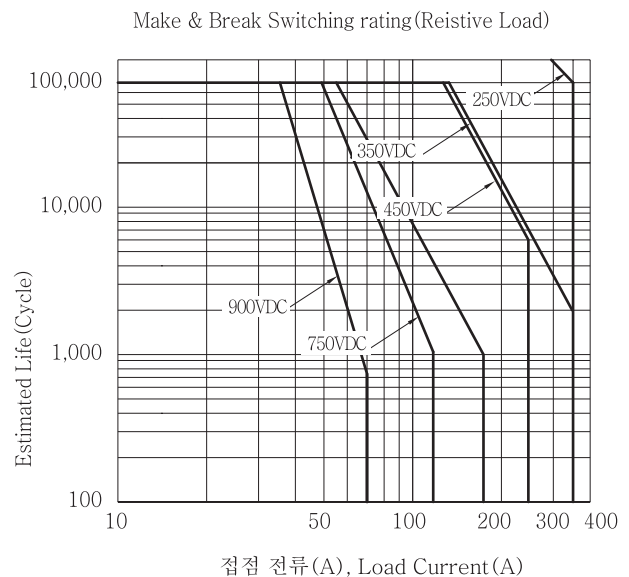
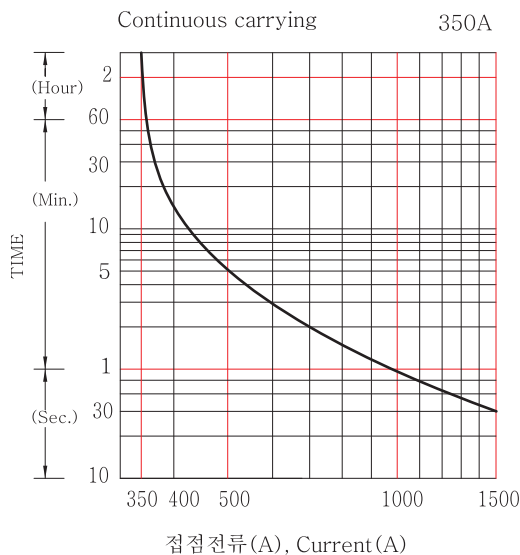


▶ 성능 (Characteristics)

Expected life	Mechanical (Min.)		2×10^6
	Electric (L/R \leq 1ms)	350V DC 350A	1×10^3
		250V DC 350A	1×10^5
Initial insulation resistance			Min. 100M Ω 500V DC
Initial breakdown voltage	Between open contacts		3500V AC 60 Sec. 5mA
	Between contacts & coil		3500V AC 60 Sec. 5mA
Operate time (at 20°C)			Max. 10ms
Release time (at 20°C)			Max. 10ms
Shock resistance	Functional		Min 147 % {15G}
	Destructive		Min 490 % {50G}
Vibration resistance	Functional		100 % {10G} 10 to 500Hz
	Destructive		100 % {10G} 10 to 500Hz
Conditions for operation transport and storage	Ambient temperature		-40°C to +85°C
	Humidity		5 to 85% R.H.
Unit weight			610g

▶ 특성곡선 (Reference data)

- 온도상승곡선
 - 통전시간의 최대치 Max, Current capacity
Max, Continous thermal current rating (amperes)
- 전기적 수명 곡선
(Estimated Switching Ratings)



DC HIGH VOLTAGE LATCH RELAY

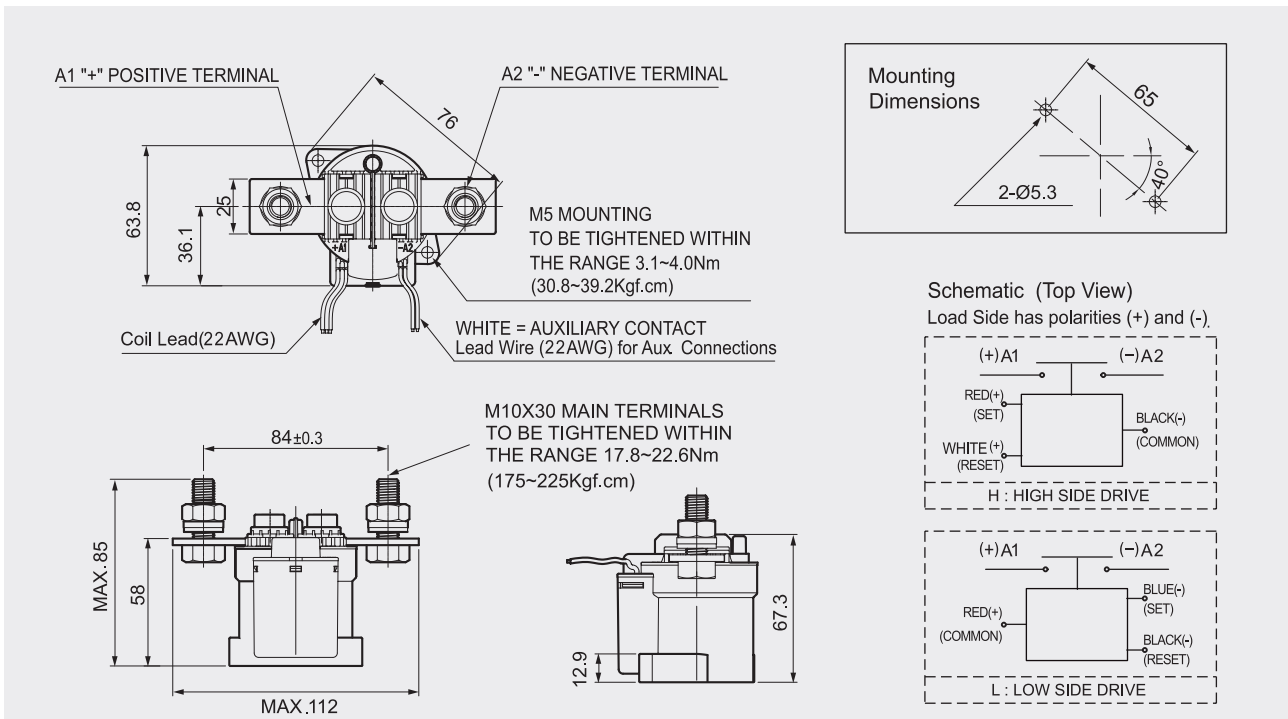
EVL350



EVL350

외형치수도 (Dimension in mm)

공차 (Tolerance) : 10mm 이하 ±0.3, 10~50mm ±0.6, 50mm 이상 ±1.0



EVL350-2P 결선도 (2 Pole wiring diagram of EVL350)

