

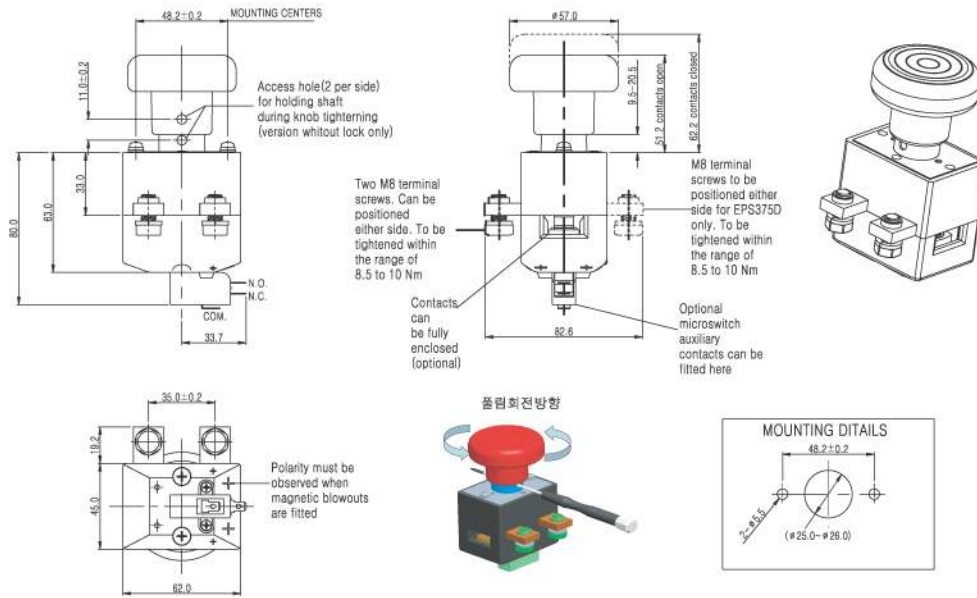


EPS375 Series

EPS375

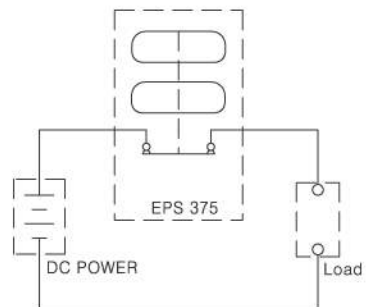
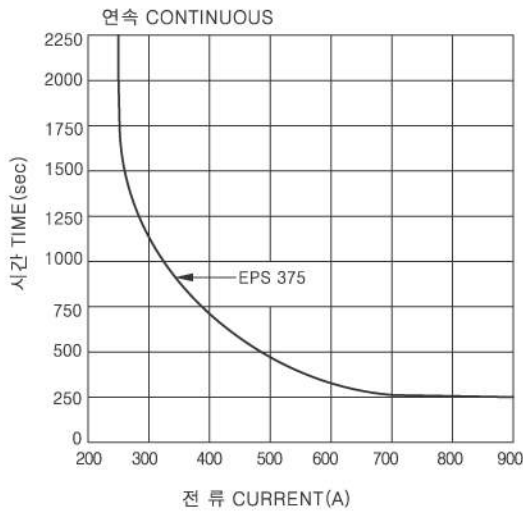


외형치수도 (Dimension in mm)



특성곡선 (Contact performance curve)

투입전류시간 특성곡선
CONTACT PERFORMANCE CURVE (Intermittent ratings)



ELECTRICAL SCHEMATIC EPS 375